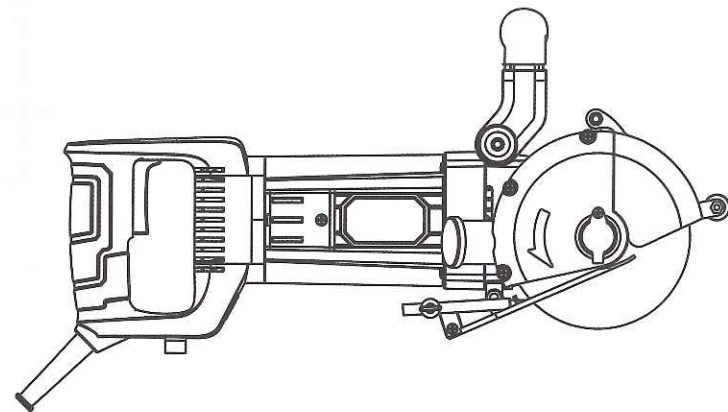


WALL CHASER

Operating Manual

Focus on
Wall Chaser
15years



●Please carefully read the Manual before use

Sincerely thank you for choosing our products, you will get the full technical support of the company Service guarantee




Product Description: Lightweight hydropower one-time forming slotting machine with high motor power and working efficiency Highly powerful, adjustable cutting depth, light weight and other advantages, leading the world;

The tool is designed as a dust-collecting structure, which greatly reduces the dust of the cutting operation and effectively prolongs the service life of the saw blade, thereby reducing the cost of slotting. The tool is suitable for old fire bricks, cement bricks, light bricks, and mixed The molding of the clay wall (ground) and the cutting of granite, marble, ceramic tiles and other building materials.

Technical Parameters

Type	1006	1007	1008	1009
model	Z1E-WY-125	Z1E-WY-135	Z1E-WY-135	Z1E-WY-135
Voltage frequency	220V~50Hz	220V~50Hz	220V~50Hz	220V~50Hz
rated power	1800W	1800W	1800W	1800W
Maximum speed	6500r/min	6500r/min	6500r/min	6500r/min
load capacity	3200W	4000W	4500W	5000W
Cutting sheet specifications	120mm	133mm	133mm	133mm
Maximum cutting capacity	depth:34mm width:34mm	depth:38mm width:42mm	depth:38mm width:42mm	depth:38mm width:42mm
net weight	5.0Kg	6.2Kg	6.2Kg	6.3Kg
Gross weight	7.5Kg	9Kg	9Kg	9Kg

Symbol Description

-  Warning symbol means any failure to follow the operating procedures in this manual, which will result in personal injury or damage to the machine.
-  The anti-shock symbol means that any operation that does not follow the operating procedures in this manual will result in electric shock.
-  Fire protection symbol means any risk of fire if not operated in accordance with the operating procedures in this manual.

Safe operation instruction



working environment

- (1) The work area should be kept clean and the lighting and ventilation conditions are good.
- (2) Never use the machine in a place with flammable or explosive materials
- (3) When working, be sure to stay away from children, bystanders and animals;
- (4) Never use the machine where the body is suspended

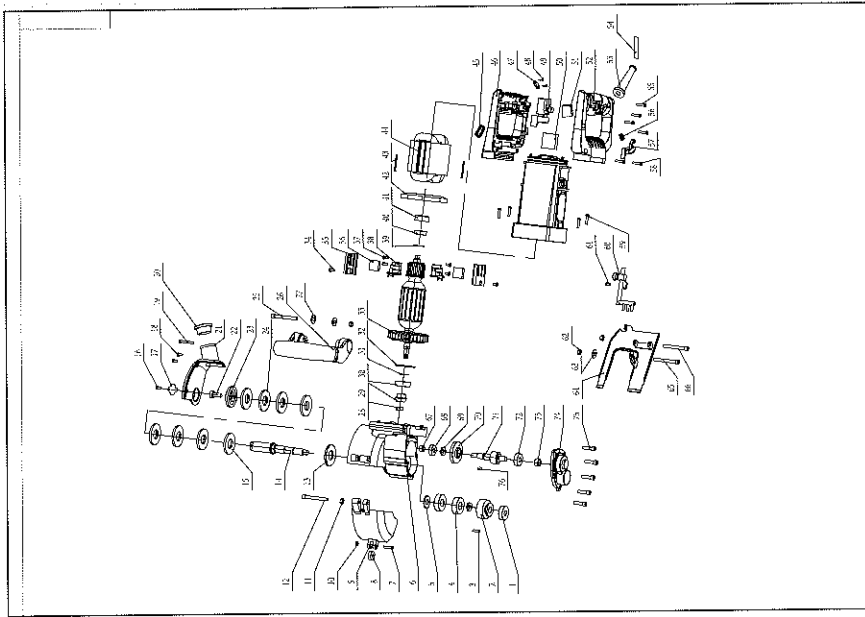
2 electrical safety:

- (1) Please make sure to operate according to the warning label on the plug;
- (2) The socket type connected to the power supply should be matched with the plug provided by the machine. It is not allowed to make any modification to the plug structure, and the machine is used under the condition of a grounding wire.
- (3) Do not use the machine outdoors on rainy days;
- (4) Do not use the power cord to pull the machine, so as not to cause the machine to contact poorly and not work properly;
- (5) The power cord should be protected from heat, oil, sharp substances and moving parts.
- (6) When the machine is used outdoors, please use the outdoor extension 2mm power cord and keep the connection reliable;
- (7) After starting the machine, avoid touching any part of the body to the surface of the wall.

3 personal safety:

- (1) When operating this machine, always be vigilant. Do not use the machine under the conditions of fatigue, alcohol abuse, drugs or medical treatment, in case the rabbit is in operation due to inattention caused by accidents.
- (2)  When using, be sure to use protective equipment such as dust masks, goggles, ear protectors, etc.
The sand and dust splashed by the rabbits dampen the eyes and face, or the hearing is impaired by strong noise.
- (3) Avoid accidental start-up. Before turning on the power, please make sure that the switch of the machine is off. After confirming the error and turning on the power, do not put your finger on the button of the switch immediately to prevent accidents.
- (4) Before starting the machine, check that the adjustment lock wrench and tool are off the machine.
- (5) When operating, the body should not stretch too far forward, please keep your body balanced.
- (6)  When operating, please do not wear loose clothing, do not wear jewelry, long hair users The hair should be inserted into the protective cap to avoid touching the moving parts during operation and causing accidents.

Part name



Package affix

Name	Quantity
Saw blade	5
wrench	1
Sleeve	1
Allen wrench	1
Water pump	1
Water pipe	5
Instruction manual	1

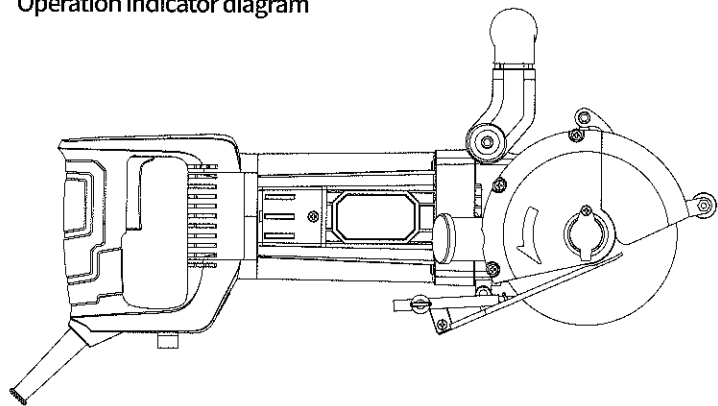
Maintaining

- ⚠ Power of fan pull out the plug before and maintenance.
- (1) The machine is manufactured based on safety standard. As for any faults, users are not allowed to disassemble the machine by themselves and shall ask the maintenance department of our company of professional maintenance personnel for repair, otherwise it will cause danger.
- ⚠ (2) On maintenance, the needed parts must be provided by the company otherwise it will cause machine damage and personal injury.
- (3) Users should clean up the gravel and lime on the surface of machine after using and ensure that all operating parts like switch, plug and handle, etc. are dry. The machine shall be placed in dry place that children can't touch to prevent failure in normal operation or accident due to corrosion.

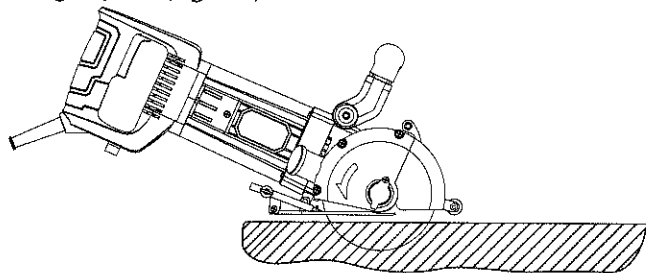
part list

NO.	name	NO.	name
5	Φ 35 hole circlip	72	6000 bearing
7	Phillips pan head screw	30	6201 bearing
3	4 × 4 × 16 square key	4	6202 bearing
10	M6 nut	1	6200 bearing
11	M6 loose nut	8	626 bearing
12	M6 × 60 carriage screw	67	8*12*8 steel sleeve
16	Phillips pan head screw	73	10*16*8 steel sleeve
18	Phillips pan head screw	41	629 bearing sleeve
19	Phillips pan head screw	53	Cable jacket
22	Socket head cap screws	13	Φ 25 oil seal
25	Hexagon socket head screw	60	Water nozzle
27	Φ 6 gasket	15	Lower plate
28	M8 hex nut	23	Upper plate
31	12 × 20 × 0.8 gasket	24	Cutting gasket
34	Svash plate slotted self-tapping screws	32	6201 bearing gland
37	Cross head tapping screw	17	Dustproof cover
39	9 × 22 × 0.5 gasket	64	Bottom plate
43	Phillips pan head tapping screw	56	Button spring
48	Phillips pan head tapping screw	14	Output shaft
55	Phillips pan head tapping screw		cabinet
58	Phillips pan head tapping screw	26	Auxiliary handle
59	Socket head cap screws	42	Windshield
61	Socket head cap screws	57	Rotate button
62	M6 nut	52	Left handle
63	6 × 17 gasket	46	Right handle
65	M6 × 40 carriage screw	35	Brush holder cover
66	Socket head cap screws	20	Air hood
69	Φ 13 shaft circlip	42	Crimping board
75	Socket head cap screws	49	switch
76	13 × 4 semi-circular key	50	Soft start
40	629 bearing	51	capacitance
68	608 bearing	45	inductance
29	Pinion (tooth)	33	Rotor
2	big gear	44	stator
71	Pinion	54	Cable
6	Head shell	36	Carbon brush
9	Movable cover	38	Brush holder
21	Saw cover	70	Large gear (tooth)
74	Side cover		

Operation indicator diagram

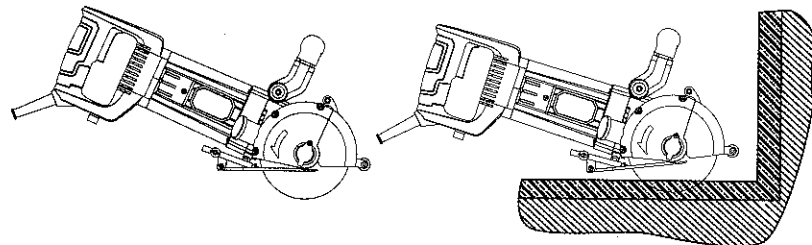


A. Slotting on plane (Figure 1)



During the slotting make sure the front shield lower to the floor and the back handle to avoid dust splashing.

B. Slotting on corner (Figure 2)



When the shield is taken back

Slotting the corner part with shield back.

Warranty card

Warranty Condition

1. The power tool will be warranted for three months from the date the first user purchases the product (this machine will not be returned, only the warranty).
2. Instructions and safety instructions must be understood before using the tool.
3. The normal wear and tear of the consumable parts during the warranty period and human damage will not be guaranteed.
4. During the warranty period, the user or the dismantled and repaired person will not be warranted according to the operation instructions. If it is necessary to repair, it will be charged according to the price of the machine parts and maintenance work.
5. The user must return the machine to the repair center for repair, and pay for the freight and insurance. The purchaser repairs the invoice to the seller's designated point.
6. This warranty applies only to purchasers of the People's Republic of China.

(Please pay attention to the purchaser)

The certification enters into effect only with seal from distribution unit. Invalidity on overdue.

Product type		seal
Product name		
Distribution unit		
user unit		
Address		
Date of invoice		

Maintenance record

Date	Damaged part	Remarks	Inspector